

# RANKO

BIKE PARKING.



## RANKO OnStreet RANKO OnWall

The ultra compact Bicycle Parking Systems

MADE  
IN  
GERMANY

Uncover this clever and extremely space efficient vertical parkers: innovative solutions for a multitude of use cases.



# RANKO

## ONSTREET

### THE VERTICAL BICYCLE PARKING SYSTEM

1 car spot =  
20 bicycles



#### USE CASES

##### Office / apartment / mixed use buildings

- very high space efficiency means reduced space requirement means less cost
- requires only standard room height

##### Parking garages

- scalability allows big implementations as well as clever use of otherwise unusable spaces

##### Parking in public spaces, e.g. densely populated city blocks

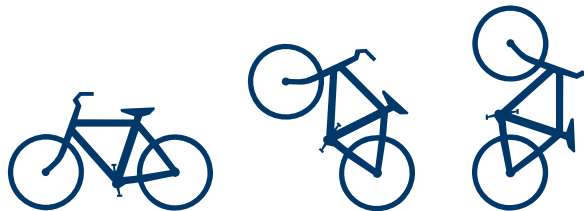
- repurposing one car parking spot can deliver space for up to 20 bicycles
- safe bicycle parking with optional enclosure and access control
- option to integrate safe space for a cargo bike, e.g. as rental service



[YouTube Link](#)



*optional  
with charge point  
for e-bikes*



- parking is quick and easy - for bicycles of up to 35 kg / 77 lbs and handlebar width of up to 80 cm / 32"
  - gentle to your and your neighbors' bicycles: Spots staggered high/low plus our well designed lift help to avoid bumping into neighbors
  - optional connection brackets to lock bike frame and wheels to OnStreet
  - optional easy-reach e-bike charging point per spot
- 
- unmatched space efficiency means lowest operating expenses: Including aisles and loading zones it is possible to achieve 1 square meter / bicycle at standard room height [11 sft / bike]
  - low maintenance: Only one moving part and a gas spring which can be easily swapped out
  - simple set-up and floor fixation
  - E-bike-charge points can be added later thanks to well thought out wiring concept
  - enclosure and roof as an option, variety of materials and colors
  - electronic access control as an option, either offline with RFID cards or online via smartphone app

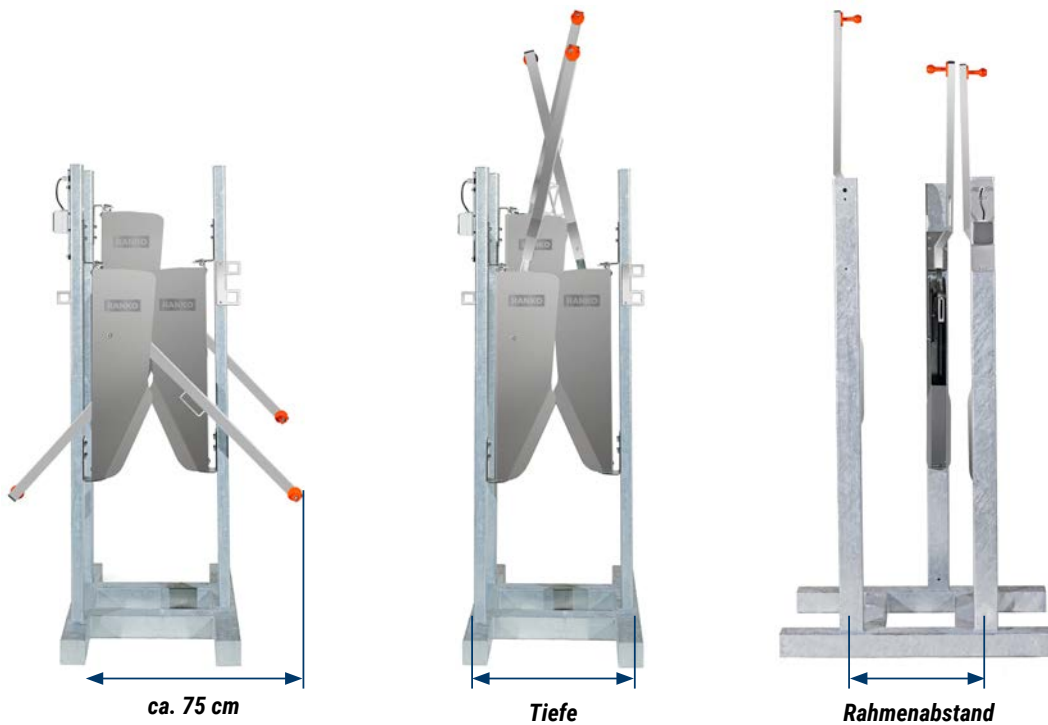
**CYCLISTS  
LIKE IT BECAUSE**

**OPERATORS  
LIKE IT BECAUSE**

# RANKO

ONSTREET

THE VERTICAL BICYCLE  
PARKING SYSTEM



#### Locations for placement and fixation

- suitable for outdoor and indoor locations
- floor fixation recommended
- adjustable feet available

#### Center-to-center spacing (bike to bike)

- standard modules available with center-to-center spacing 40/45/50 cm - 16/18/20"
- recommended spacing for public use: 45 cm / 18"

#### Dimensions

- height without bicycles: 160 cm / 5'4"
- height with bicycles: 240 cm / 7'9"
- width without bicycles: 65 cm / 2'1"
- width with bicycles loaded on both sides: 190 - 200 cm / 6'4" - 6'8"
- standard modules, spacing - length - number of spaces
  - 40 cm / 16" - 240 cm / 8' - 10-12 spots
  - 45 cm / 18" - 225 cm / 7'6" - 9-10 spots
  - 50 cm / 20" - 250 cm / 8'4" - 9-10 spots
- standard modules can be concatenated

#### Custom length

- custom length production possible upon request
- custom length and standard modules can be concatenated

#### Materials

- all steel components are fully galvanized after welding, additional powder coating is optional

#### Recommendation for mix of bicycle weights in public setting

- use of medium strength gas spring at Wheelylift which comfortably operates bicycles of up to 24 kg / 53 lbs
- optional magnetic arrest keeps bicycles of up to 35 kg / 77 lbs in position without impacting loading and unloading comfort of lighter bikes

#### PRODUCT DETAILS

patent  
pending

# RANKO

## ONWALL

### THE VERTICAL BICYCLE PARKING SYSTEM FOR WALL MOUNTING

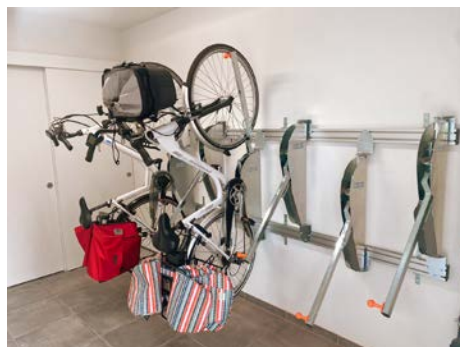


#### CYCLISTS LIKE IT BECAUSE

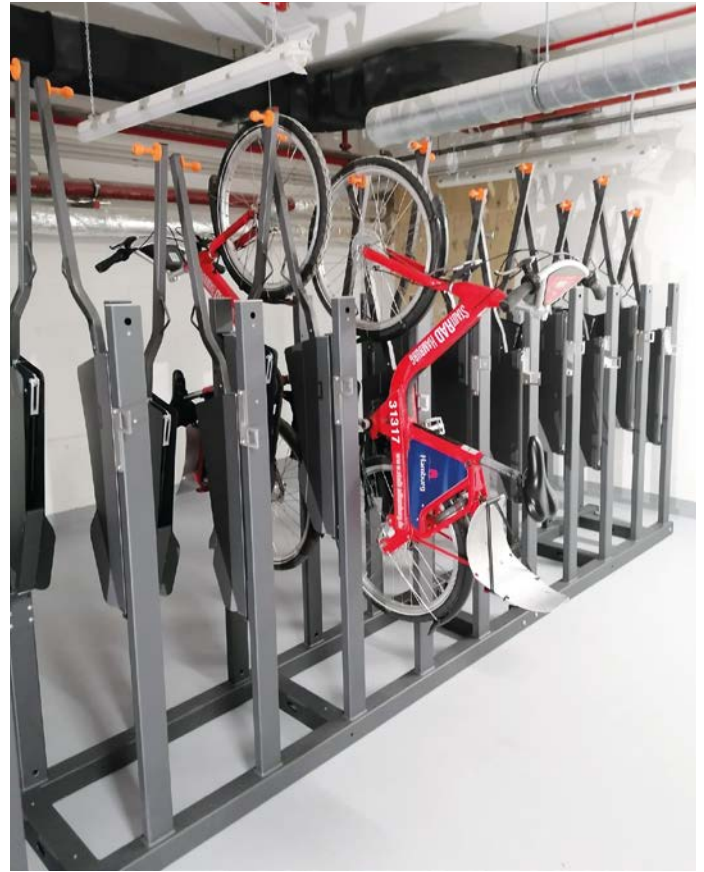
- comfortable and fast parking - for bikes weighing up to 35 kg and 80 cm handlebar width
- easy operation without scratches or collisions: the bikes are swung past one above the other thanks to bike lifts being vertically offset
- space saving owing to vertical parking (e.g. bicycles + cars in the garage)
- further saving of space due to stepless, lateral folding away of the parked bicycles
- flexibility thanks to easy repositioning of the bike lifts
- up to 16 bicycle lifts on 6 m rail length are possible

#### OPERATORS LIKE IT BECAUSE

- unsurpassed space efficiency: in a parking facility, including traffic area, a space requirement of less than 1 square meter per parking space can be achieved
- space, building and operating costs are massively reduced
  - especially by combining RANKO OnStreet and RANKO OnWall
- low room height requirement: 2.40 m is perfectly sufficient
- low-maintenance: only one movable element and one easily replaceable gas pressure spring per parking spot
- easy positioning







## DRAHTMAYR

D-69190 Walldorf (ZL)  
Daimlerstraße 44  
Tel. +49 6227 6551-0  
verkauf@draht-mayr.de

D-27777 Ganderkesee  
Rudolf-Diesel-Straße 11  
Tel. +49 4222 92028-0  
ganderkesee@draht-mayr.de

D-39179 Barleben  
Lindenallee 12  
Tel. +49 39203 5628-0  
barleben@draht-mayr.de

D-58762 Altena  
Rosmarter Allee 30  
Tel. +49 2351 66349-0  
altena@draht-mayr.de

D-73770 Denkendorf  
Lichtäckerstraße 8  
Tel. +49 711 345599-0  
denkendorf@draht-mayr.de

D-69234 Dielheim (Zentrale)  
Industriestraße 12  
Tel. +49 6222 780-0  
dielheim@draht-mayr.de

D-99441 Mellingen  
Hainholzstraße 1  
Tel. +49 36453 869-0  
mellingen@draht-mayr.de

A-5303 Thalgau  
Plainfelder Straße 1  
Tel. +43 6235 20379  
office@draht-mayr.at

CH-8500 Frauenfeld  
Im Alexander 4  
Tel. +41 52551 33-00  
info@draht-mayr.ch



**RANKO**



[www.draht-mayr.de](http://www.draht-mayr.de)